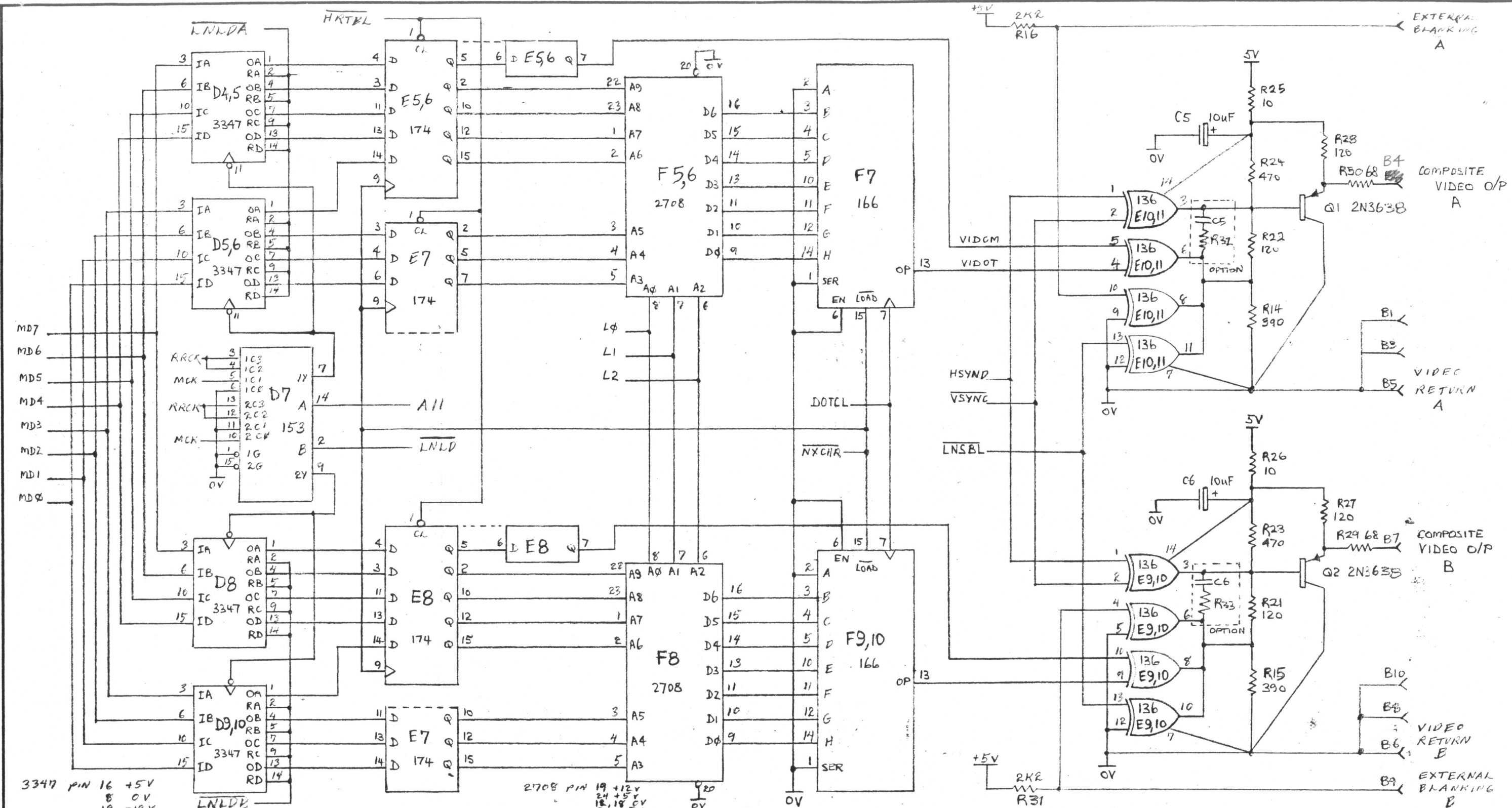


TYPE	QTY	TYPE	QTY	TYPE	QTY	DATE	REVISION	BY	
QUAD NAND	74500*	1	CAP 10nF CER	10	RESISTOR 390Ω	2	2/1/77 HSYND, RRCK FITTED	RH	
QUAD NOR	74LS02	3/4	CAP 6u8 TANT	4			20/10/78 CHANGED TO FC VERSION	K.T.	
HEX INV.	74S04	1	CRYSTAL 10.9956 MHz	1					
DUAL D-FLIP	74S74	1 1/2	CAP 22pf CER	3					
DUAL 4-NAND	74LS20	1/2							
TRI 3-NAND	74LS10	1	QUAD AND 74LS08	2/4					
DUAL D-FLIP	74LS74	1	COUNTER 9316	3					
COUNTER	74LS161	7							
<b>A3</b> total IC's - 17		* NOT 74LS							

DUAL TVT SHEET 1 OF 4

TIMING LOGIC

DRAWN	CHECKED	SCALE	DRAWING No.
MS. PEDDER CM	D. HATCH CTDC		Q-050-00
13-7-77	25-7-77		



3347 PIN 16 +5V  
8 0V  
12 -12V

2708 PIN 19 +12V  
24 +5V  
18, 18 0V  
21 -5V

TYPE	QTY	TYPE	QTY	TYPE	QTY	DATE	REVISION	BY	
QUAD 80SR 3347	4	CAP TANT 10uF	2	RESISTOR 10 Ω	2	2/1/78	HRTBL CLEAR, EXTERNAL BLANKING INPUTS	PH	
HEX "D" 74LS174	3	TRANSISTOR PNP 2N3638	2	RESISTOR 68 Ω	2	20/10/78	CHANGED TO PL VERSION	KT	
PROM 2708	2			RESISTOR 120 Ω	4				
SH. REG 74166	2*			RESISTOR 390 Ω	2				
QUAD EXOR 74136	2*			RESISTOR 470 Ω	4				
DUAL 4-MUX 74LS153	1			RESISTOR 2K2 Ω	2				
A3 Total 14 IC's		* NOT 74LS							

DUAL TVT SHEET 2 OF 4

VIDEO OUTPUT, SHIFT REGISTERS AND PROMS.

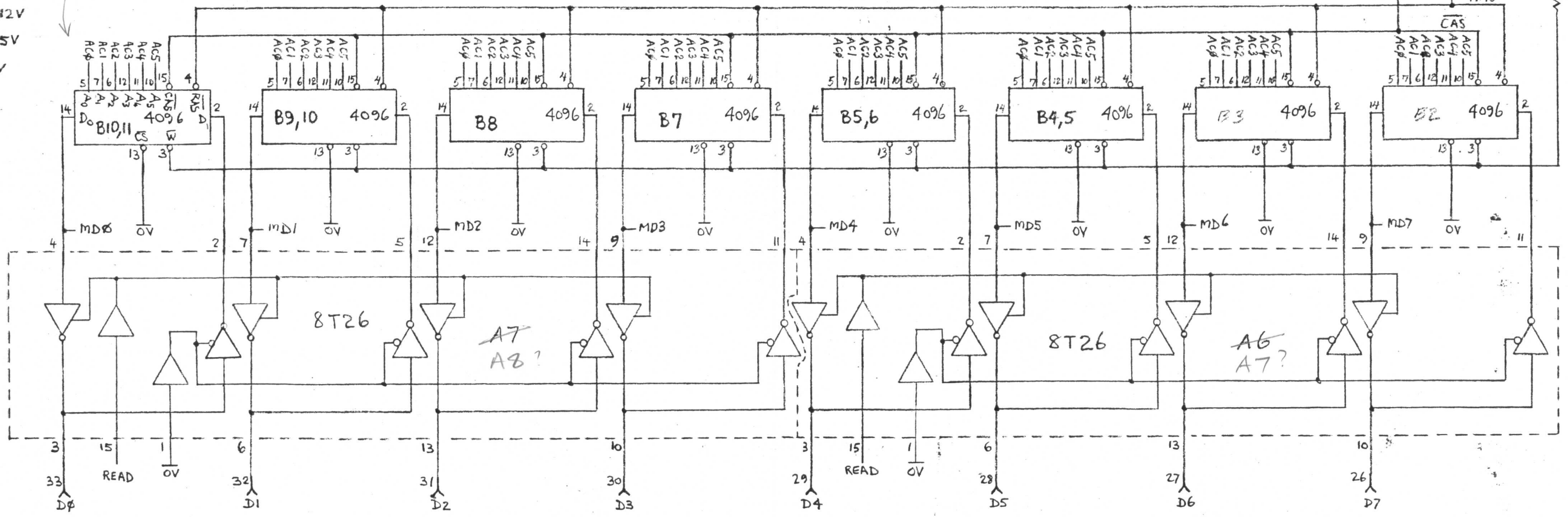
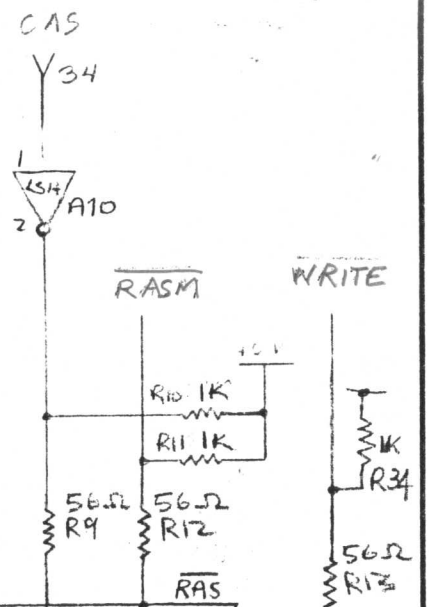
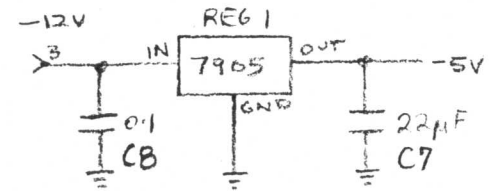
DRAWN	CHECKED	SCALE	DRAWING No.
MSPEDDER CM	D. HATCH CTGLO		Q-050-01
13-7-77	25-7-77		

EQUIV. 4K x 1 Dynamic Rams

MCM 6604  
MCM4027  
MK4096  
i 2104

Mot. pg.  
5-39  
5-12

4096 PWR  
P1 -5V  
8 +12V  
9 +5V  
16 0V

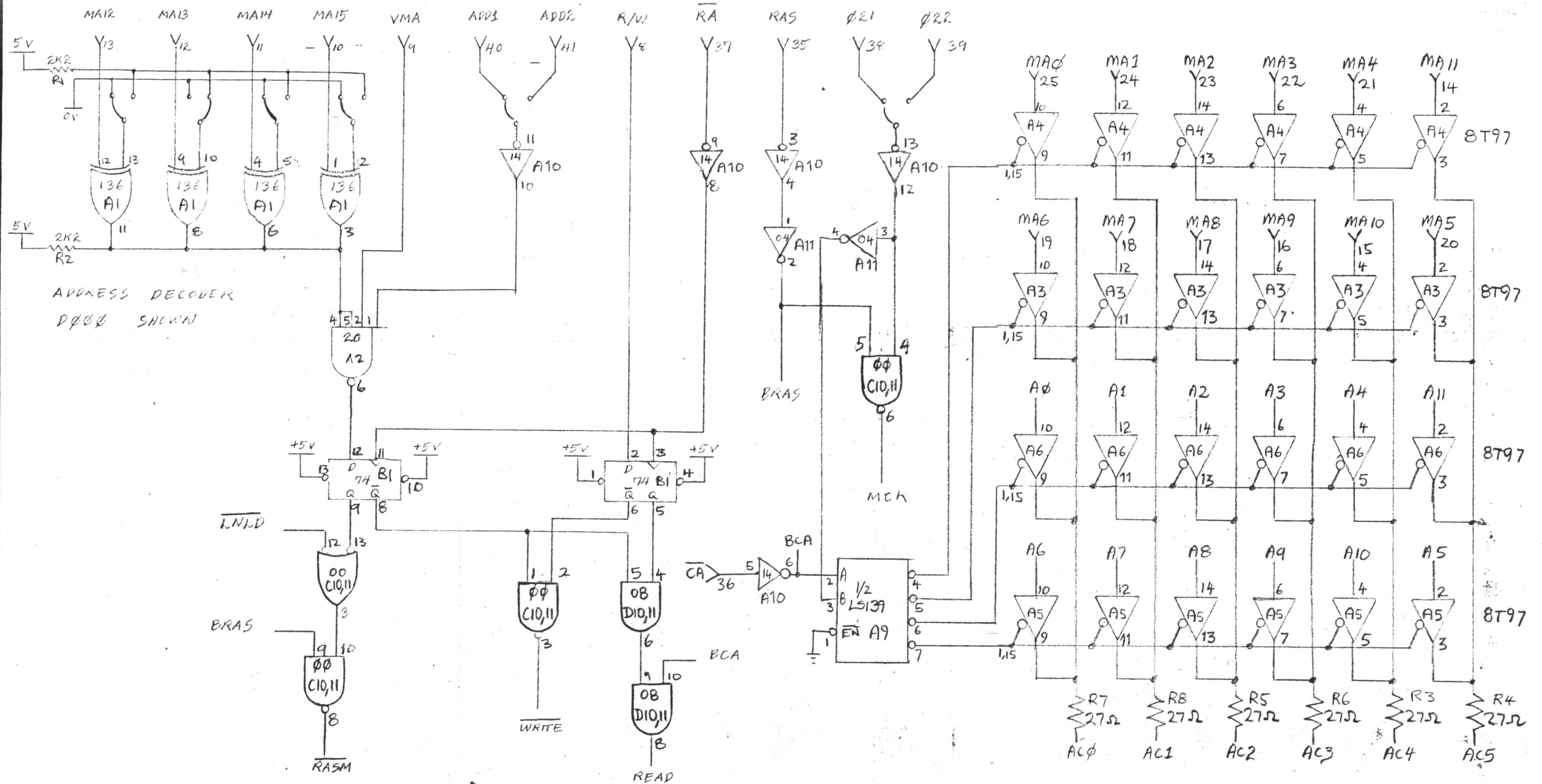


TYPE	QTY	TYPE	QTY	TYPE	QTY	DATE	REVISION	BY
MK4096P OR MCM6604	8	CAP 15uF 25V TANT	8	RESISTOR 1K-	2	25/1/77	SINCH. ADDRESS LATCH ADDRESS	10H
8T26	2	CAP 10n CER	20	RESISTOR 56Ω	3	1/1/78	ADDRESS DECODE MOVE TO SEPARATE SHEET (H)	10H
74LS14	1/6	CAP 100n CER	2			20/10/78	CHANGED TO PC VERSION	KT
7905 REG.	1					25/6/79	ADDRESS MUX. CHANGED	KT

DUAL TVT SHEET 3 OF 4

4K BYTE RAM.

DRAWN	CHECKED <i>10H</i>	SCALE	DRAWING No.
M.S. PEDDER	D. HATCH CTDC		Q-050-02
13-7-77	25-7-77		



TYPE	QTY	TYPE	QTY	TYPE	QTY	DATE	REVISION	BY
74LS136	1	8T97	4			20/10/78	CHANGED TO PC VERSION	KT
74LS20	1/2	LS139	1/2			25/6/79	ADDRESS MULTIPLEXING	
74LS14	4/6						CHANGED	KT
74LS74	1							
74LS00	1							
74LS04	2/6							
74LS08	2/4							

DUAL TVT

SHEET 4 OF 4

ADDRESS DECODING + MULTIPLEXING

DRAWN	CHECKED CA	SCALE	DRAWING No.
D. HATCH	P. HATCH CTDG		Q-050-03
1/1/78	2/1/78		